

# ARX 16

LIGHT TANDEM VIBRATORY ROLLER  
Tier 4i



## OBSTRUCTION AVOIDER

The Ammann ARX 16 Tandem Roller works flush against curbs and other obstructions and does so smoothly, thanks to an electronic drive lever. Double drive and double vibration are standard and help deliver optimum compaction results. Operator benefits include a rubber-mounted platform that limits vibration and an intuitive instrument panel that helps even inexperienced operators succeed. The ARX 16 is built with high quality, long-lasting components that reduce the cost of ownership over the lifetime of the machine.

## COMPACTION PERFORMANCE

- Double drive
- Double vibration
- Optimal drum diameter
- Balanced weight front and rear
- 2 frequencies with 2 centrifugal forces

## EASY MAINTENANCE

- Reliable, long-life vibration system
- Outside drain plugs for quick fluid changes
- Bearings and central articulated joint lubricated for the machine's life
- Easy access to maintenance points, water filters and nozzles
- Long service life and extended service intervals

## EASY OPERATION

- Electronic drive lever for smooth starts and stops
- Rubber-mounted platform that limits vibration
- Intuitive, ergonomic instrument panel
- Tight turning radius

## EXCELLENT VISIBILITY

- Unobstructed view to drums
- Forward and backward adjustable seat

## TRANSPORTABILITY

- Compact design for easy loading
- Light weight
- Foldable ROPS

## REDUCED MATERIAL PICKUP

- Multiple water nozzles
- 2 scrapers per drum

## APPLICATIONS

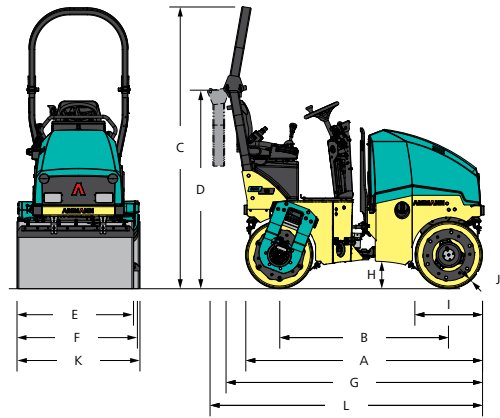
- Small and medium construction sites
- City roads
- Boardwalks
- Repair works in city centre

**AMMANN**

TECHNICAL SPECIFICATIONS  
ARX 16 LIGHT TANDEM VIBRATORY ROLLER

**DIMENSIONS**

A	MACHINE LENGTH	2017 mm (79.4 in)
B	WHEELBASE	1440 mm (56.7 in)
C	MACHINE HEIGHT	2402 mm (94.6 in)
D	MACHINE HEIGHT (FOLDED ROPS)	1731 mm (68.1 in)
E	DRUM WIDTH	900 mm (35.4 in)
E	TIRE-AXLE WIDTH	-
F	MACHINE WIDTH	947 mm (37.3 in)
G	MACHINE LENGTH	2222 mm (87.5 in)
H	GROUND CLEARANCE	228 mm (9 in)
I	DRUM DIAMETER	577 mm (22.7 in)
J	DRUM SHELL THICKNESS	13 mm (0.5 in)
K	MACHINE WIDTH (TOTAL)	952 mm (37.5 in)
L	MACHINE LENGTH (FOLDED ROPS)	2327 mm (91.6 in)



**MISCELLANEOUS**

BATTERY / CAPACITY	12/77 V/Ah
WATER TANK	110 l (29.1 gal)
HYDRAULIC TANK	16 l (4.2 gal)
DIESEL FUEL TANK	26 l (6.9 gal)
WHEEL LOAD	-
NUMBER OF WHEELS	-
TIRE SIZE	-

**ENGINE**

ENGINE TYPE	YANMAR 3TNV76
EMMISSION CLASS	EU Stage IIIA / EPA Tier 4i
POWER OUTPUT ISO 3046	15.0 kW / 20.4 HP
CYLINDER / LTR.	3 cyl / 1116 No./ccm
1. / 2. WORKING SPEED	2100 / 2400 rpm
TRAVEL SPEED KM/H	8 km/h (5 MPH)
GRADEABILITY WITH / WITHOUT VIBR.	30 % / 40 %

**STANDARD**

- Front and rear vibration and drive
- Control system with emergency stop
- Pressurised pulse interval sprinkler system
- Ammann Vibration Control
- Central lifting hook
- 2 working frequencies
- Hydraulic test ports

**COMPACTION FORCES**

AMPLITUDE	0.5 mm (0.02 in)
FREQUENCY AT 2100 / 2400 RPM	58/66 Hz (3480/3960 VPM)
CENTRIFUGAL FORCE – MAX.	23 kN

**WEIGHT & OPERATING CHARACTERISTICS**

OPERATING WEIGHT CECE	1520 kg (3351 lb)
OPERATING WEIGHT MAX.	1700 kg (3747.9 lb)
STATIC LINEAR LOAD (FULL-FLUSH)	8.4 kg/cm (18.5 lb)
TURNING RADIUS INSIDE	2125 mm (83.7 in)
STEERING / OSCILLATING ANGLE	31/5 ±°
DRUM OFFSET	50 mm (1.97 in)



**OPTIONAL EQUIPMENT**

- CE-Kit with folding ROPS and working lights
- Road lighting
- Canopy
- Asphalt thermometer
- Reverse alarm
- Battery disconnection switch
- Additional working lights (ROPS mounted)
- Arm rests
- Second drive-lever, left
- Edge-cutter incl. multi-function lever
- Bio-degradable hydraulic oil
- Drums in line
- Customer colour
- Warning beacon
- Weather canopy